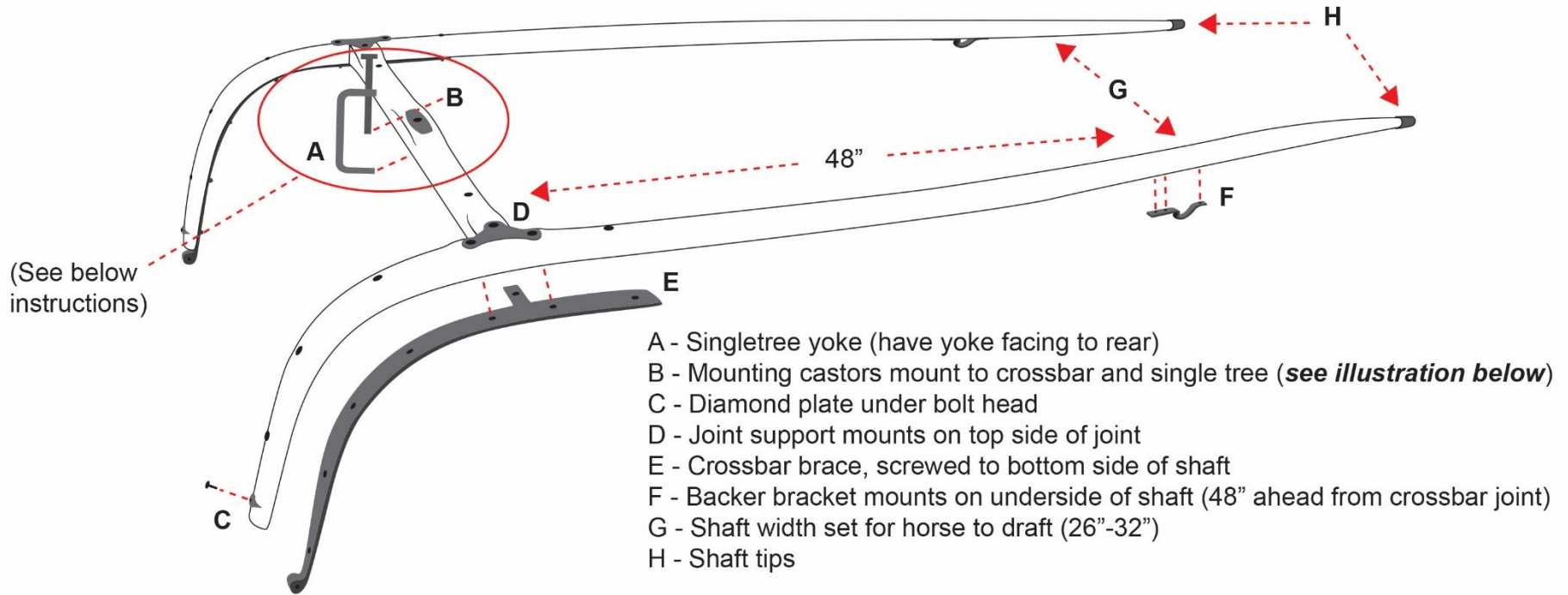
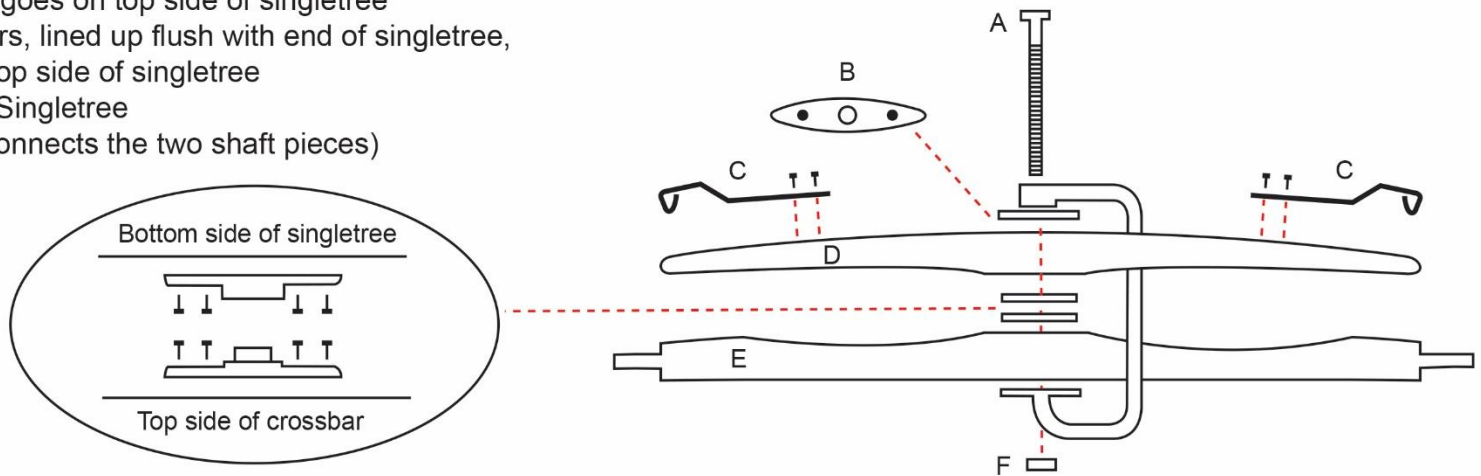


# DROP HEEL SHAFT KIT ASSEMBLY

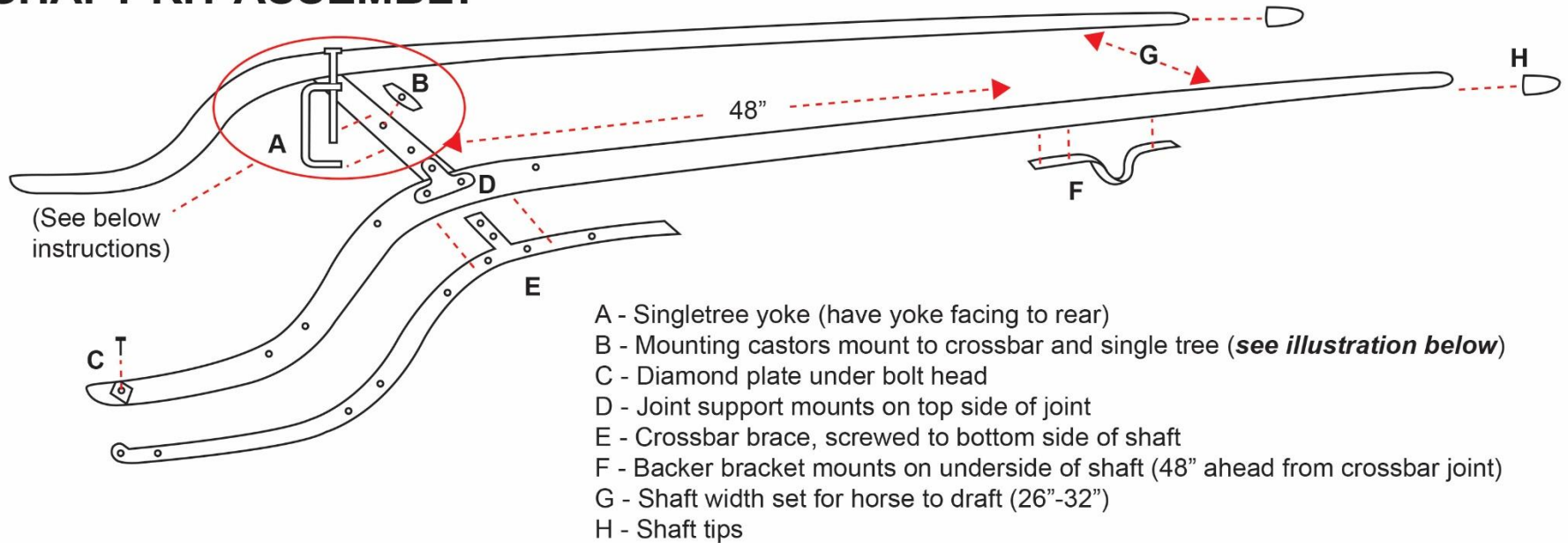


## MOUNTING OF YOKE and CASTORS TO CROSSBAR and SINGLETREE

- A - Bolt
- B - Ware plate, goes on top side of singletree
- C - Trace holders, lined up flush with end of singletree, screw into top side of singletree
- D - Sword-end Singletree
- E - Crossbar (connects the two shaft pieces)
- F - Square nut
- = Screw hole



# SHAFT KIT ASSEMBLY



## MOUNTING OF YOKE and CASTORS TO CROSSBAR and SINGLETREE

- A - Bolt
- B - Ware plate, goes on top side of singletree
- C - Trace holders, lined up flush with end of singletree, screw into top side of singletree
- D - Sword-end Singletree
- E - Crossbar (connects the two shaft pieces)
- F - Square nut
- = Screw hole

